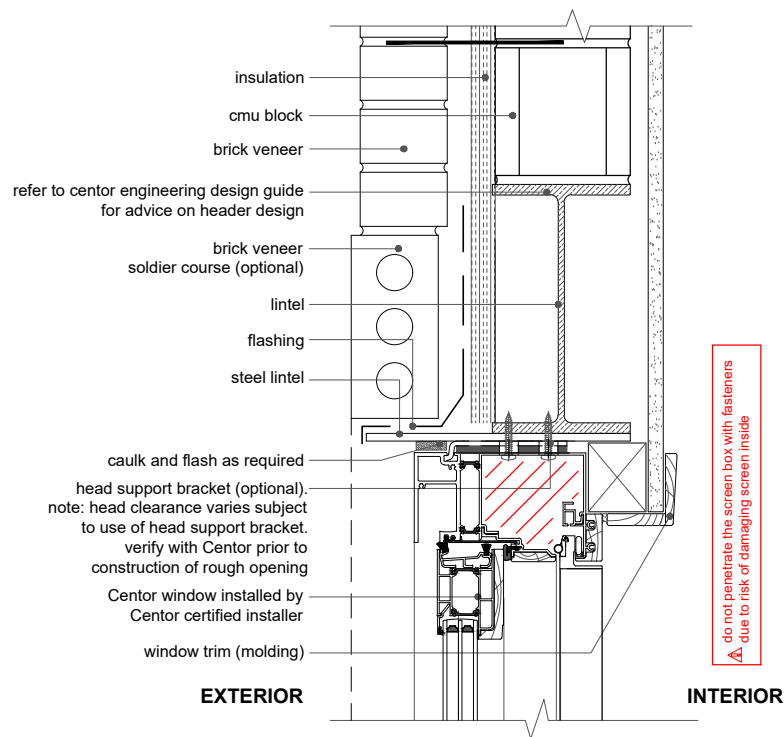


### 1 jamb detail plan

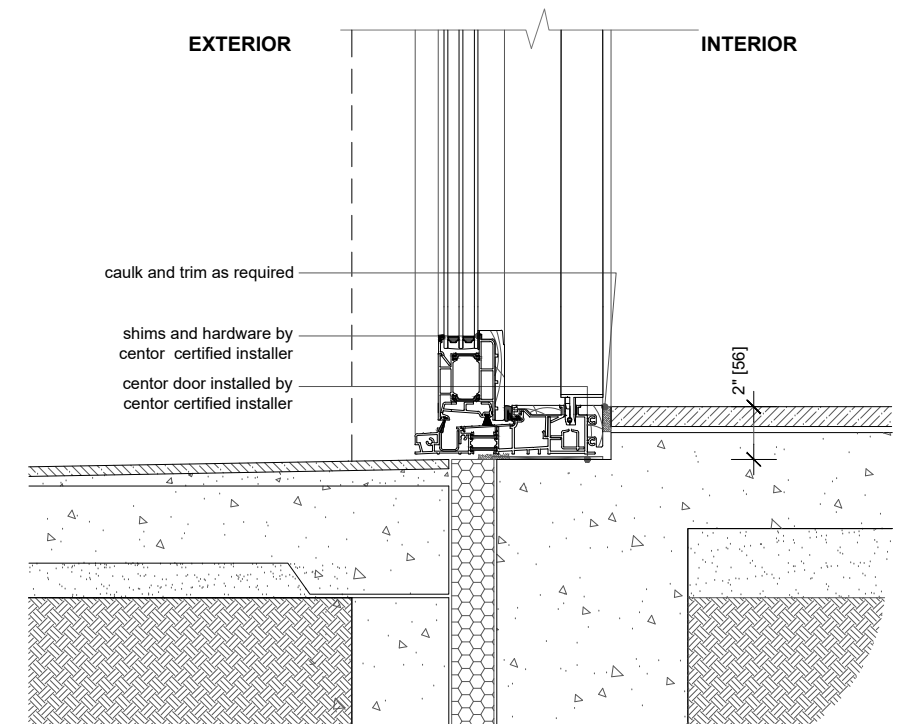
1 1/2" = 1'-0"



### 2 head detail section

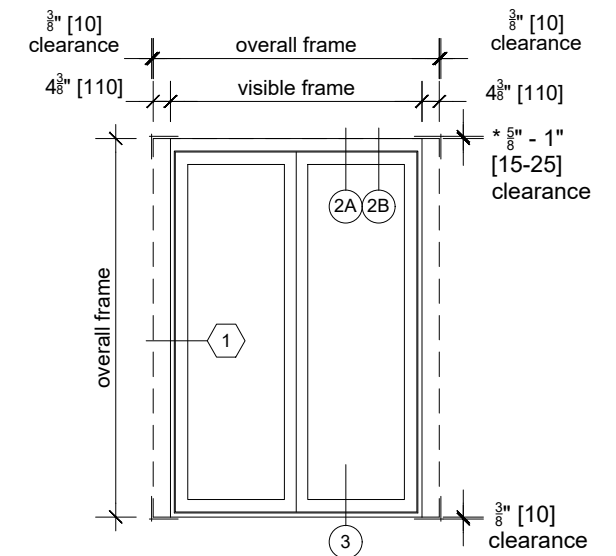
1 1/2" = 1'-0"

CENTOR recommends that the advice of qualified engineer is followed for the header design of all openings particularly where the width of the opening is greater than 12 ft. Refer to CENTOR's "Engineering Design Guide" for more information.



### 3 sill detail

1 1/2" = 1'-0"



### elevation key

1/4" = 1'-0"

	head fixing	
	through carrier channel	through head bracket
head clearance	5/8"	1"
sill clearance	3/8"	3/8"
jamb clearance	3/8"	3/8"

### typical rough opening clearances