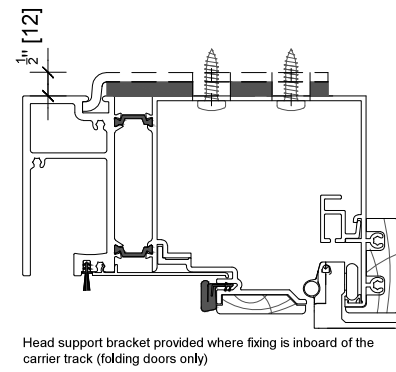
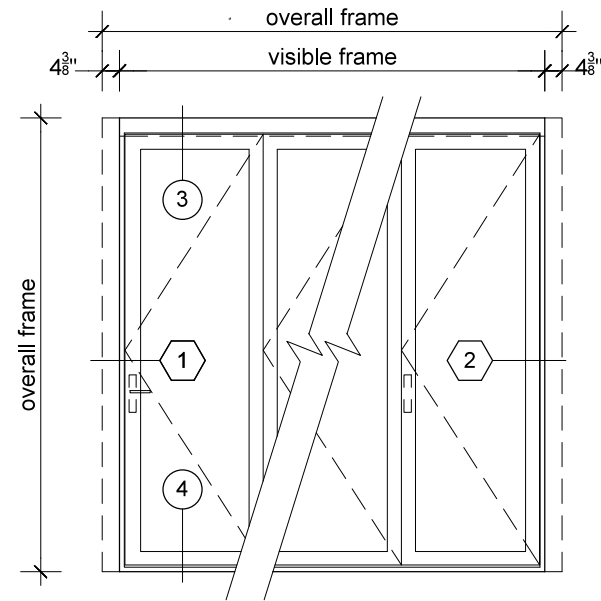


3. head detail



Head support bracket provided where fixing is inboard of the carrier track (folding doors only)

3a. head detail

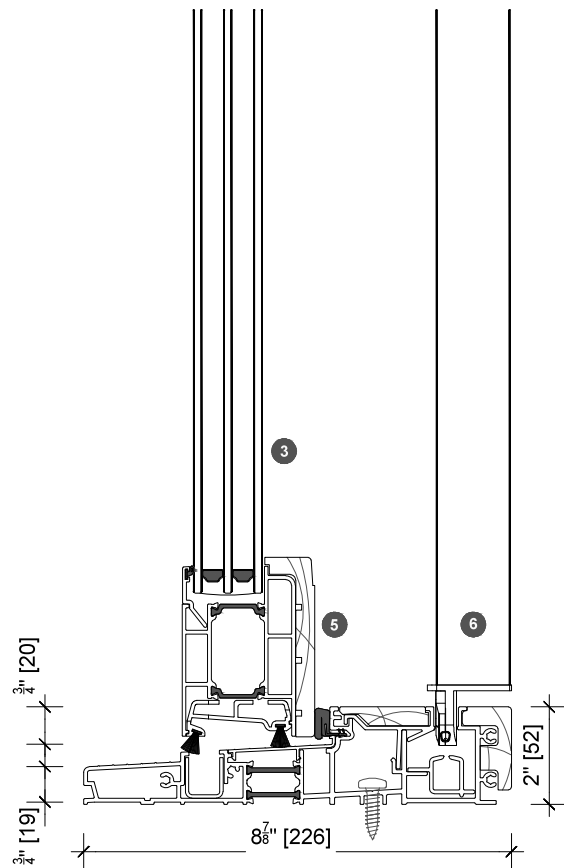


elevation key

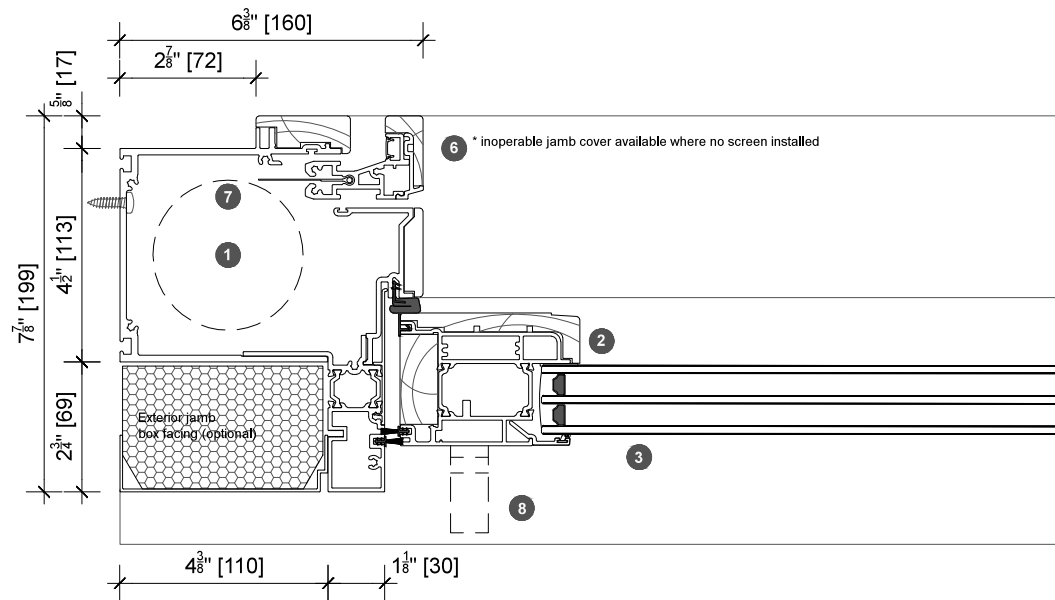
plan key

- legend
- 1 screen/shade box
 - 2 door panel stile
 - 3 glazing
 - 4 top rail
 - 5 bottom rail
 - 6 screen stile
 - 7 screen/blind
 - 8 lever handle
 - 9 pivot

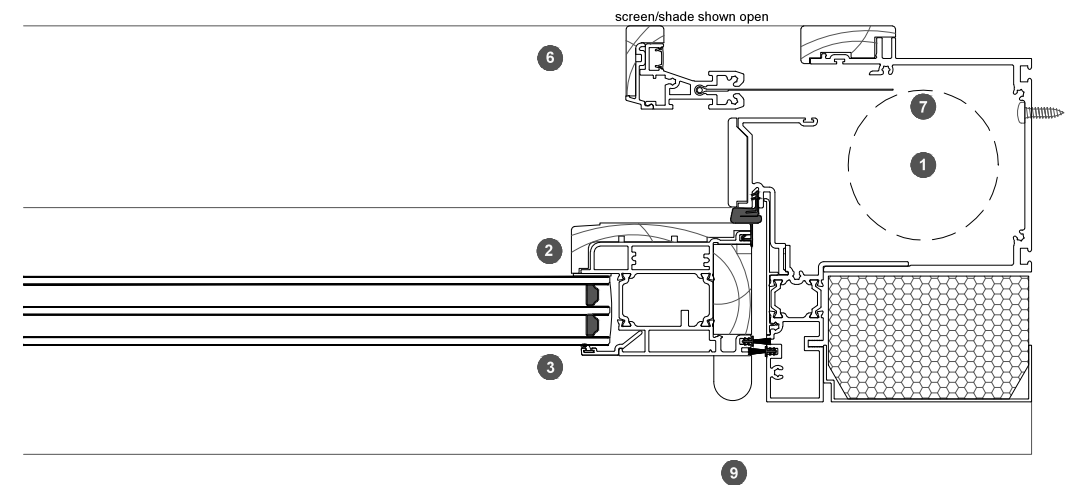
legend



4. sill detail



1. jamb detail



2. jamb detail